

**Merkmale:**

- ☑ three-phase controlled digital-soft starter (7,5-800kW)
- ☑ integrated Bypass
- ☑ current and torque reduction during acceleration
- ☑ Comprehensive and customized motor protection
- ☑ DC Braking - Contactorless
- ☑ Display graphical LCD - Real time graphs of motor operating performance
- ☑ Inside Delta (6-wire) connection
- ☑ degree of protection: IP20 (up to 100A), IP00 (from 140A up)
- ☑ motor PTC connection



Soft Starters  
VS i III ...-255 ...1000



**Function:**

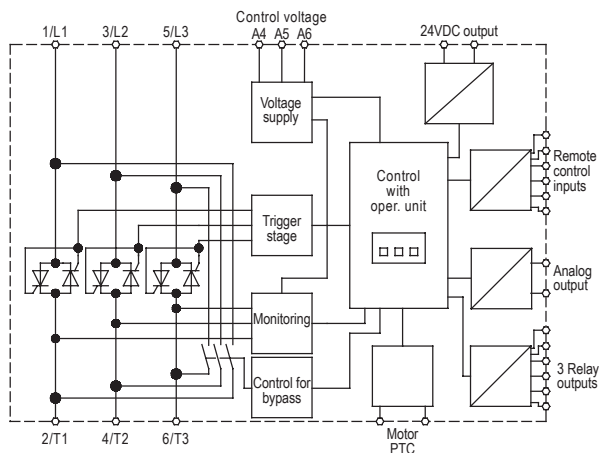
- ☑ Emergency run
- ☑ Forward or reverse jog direction.
- ☑ Remote control inputs (3x fixed, 1x programmable)
- ☑ Relay outputs (3x programmable)
- ☑ 24VDC output
- ☑ Analog output
- ☑ diverse Soft Start/Stop control types
- ☑ Units with 690V upon request

**Typical Applications:**

pumps, ventilators  
compressors  
mills, crushers, presses,  
conveying systems  
drives with high-inertia starting  
machines with gear units, belt or chain drives

**Accessories:**

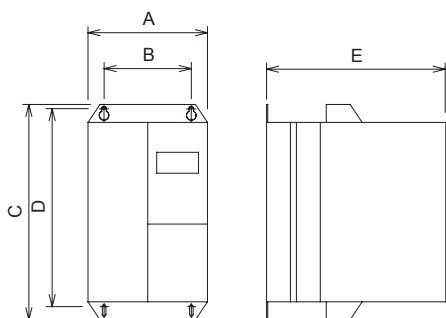
- ☑ PC Software
- ☑ DeviceNet-Module (29000.25903)
- ☑ Modbus-Module (29000.25904)
- ☑ Profibus-Module (29000.25905)
- ☑ Ethernet (IP, Modbus TCP, Profinet)
- ☑ USB-Module (29000.25910)
- ☑ Remote keypad (29000.25911)



Type number	VS i III 525 -								
	255 C1 / C2	350 C1 / C2	425 C1 / C2	500 C1 / C2	580 C1 / C2	700 C1 / C2	820 C1 / C2	920 C1 / C2	1000 C1 / C2
Rated device current	255A	350A	425A	500A	580A	700A	820A	920A	1000A
Mains voltage	200-525V 45-66Hz								
Control voltage	C1: 110VAC; 220VAC -15%/+10% 600mA; C2: 24VDC/24 VAC ±20% 2.8A								
Motor rating 400V in kW	132kW	185kW	220kW	250kW	315kW	400kW	450kW	500kW	550kW
Order number:									
C1 2S000.50...	255	350	425	500	580	700	820	920	101
C2 2S001.50...	255	350	425	500	580	700	820	920	101

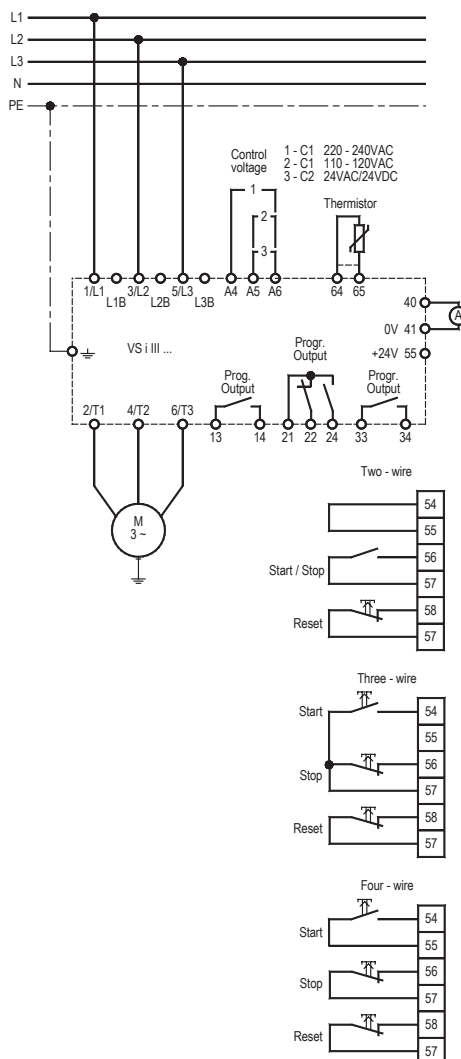
Technical data	VS i III 525 -								
	255 C1 / C2	350 C1 / C2	425 C1 / C2	500 C1 / C2	580 C1 / C2	700 C1 / C2	820 C1 / C2	920 C1 / C2	1000 C1 / C2
max. Power dissipation - during start - in operation	4,5W per A about 140W				4,5W per A about 357W				
I <sup>2</sup> t-Power semiconductor in A <sup>2</sup> s	320000	202000	320000	320000	781000	781000	1200000	2530000	2530000
min. Motor load	51A	70A	85A	100A	116A	140A	164A	184A	200A
Utilization category	AC53b								
EMC	meets EU-standard 89/336/EEC; IEC 60947-4-2 class B; IEC 60947-4-2								
Ambient / Storage temperature	-25°C bis +60°C (Derating) / -25°C bis +60°C								
Inputs	aktiv 24VDC ca 8mA, Motor PTC (trip >3,6kOhm, reset <1,6kOhm)								
Relays output	10 A at 250 VAC ohmsch, 5 A at 250 VAC AC15 Lf 0,3								
Analog output	0 up to 20 mA or 4 up to 20 mA								
24VDC output	Max 200mA								
Kinds of start	Constant current, current ramp, adaptive control, kick start								
Kinds of stop	Softstop via voltage drop in an allowed time, DC brake, free deceleration								
adaptable protection functions	Motor overload, min. current, max starting time, short time over-current, current unbalance, mains frequency, phase sequence								
certification	C✓, CE, RoHS conform, UL / cUL								
Weight	26kg	30,2kg	30,2kg	49,5kg	49,5kg	60kg	60kg	60kg	60kg

Dimensions:



Model	A (mm)	B (mm)	C (mm)	D (mm)	E (mm)
VS i III...-255	424	376	440	392	296
VS i III...-350	424	376	440	392	296
VS i III...-425	424	376	440	392	296
VS i III...-500	433	320	640	600	295
VS i III...-580	433	320	640	600	295
VS i III...-700	433	320	640	600	295
VS i III...-820	433	320	640	600	295
VS i III...-920	433	320	640	600	295
VS i III...-1000	433	320	640	600	295

Connection Diagram:



Subject to change without notice.